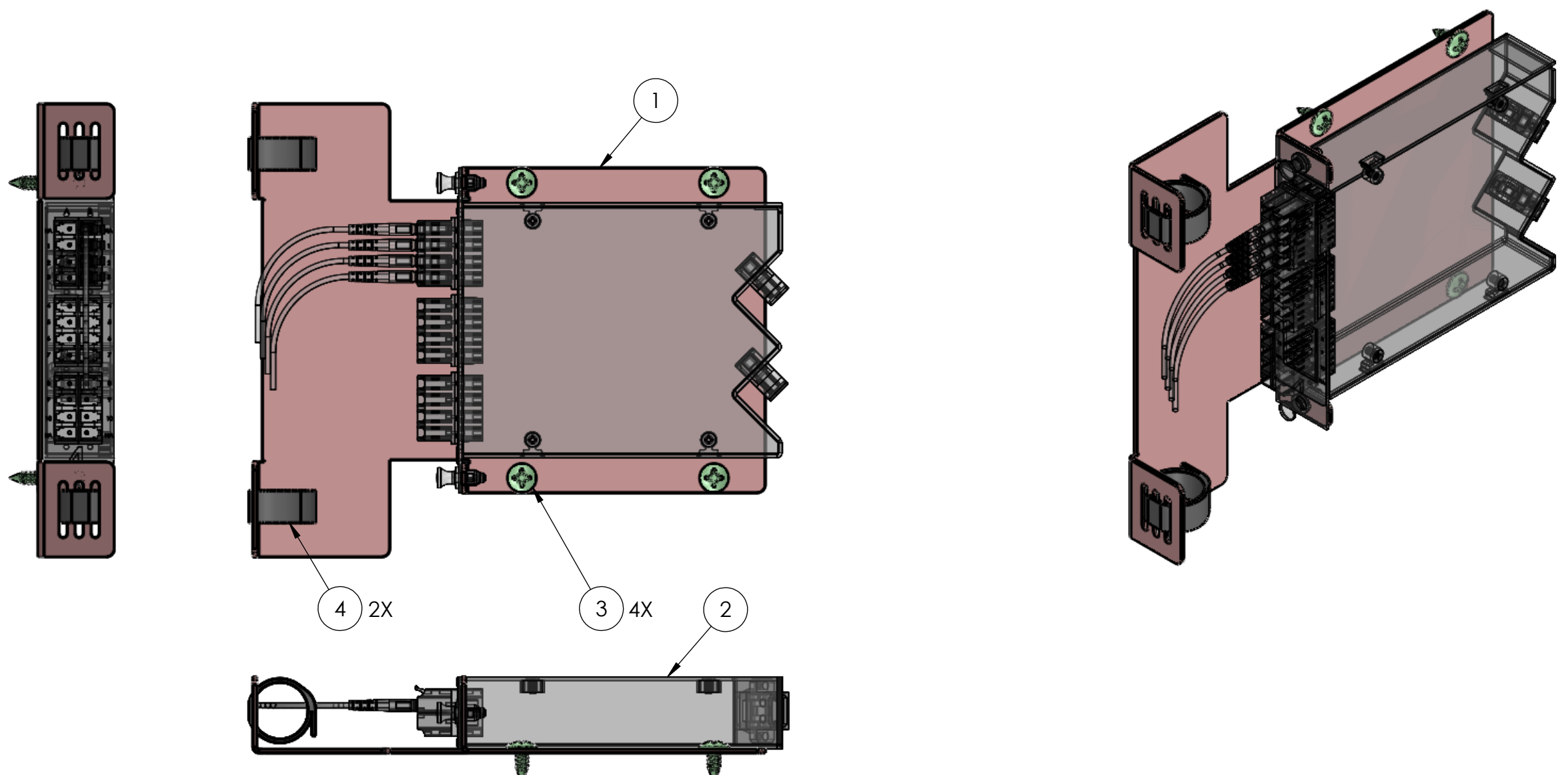


ITEM NO.	PART NUMBER	Rev	DESCRIPTION	QTY.	UM
1	060_12761_001	-1	LGX Wall Mt Bracket A	1	ea
2			Typical Fiberdyne LGX Module		
3	93406A243		10-1/2 PPH Particle Board Screw (AFT BB-717180B)	4	ea
4	170247		5in x 3/4in Velcro Strap (Cable Ties Unlimited 170274)	2	ea

REVISIONS				
ZONE	REV.	DESCRIPTION	DATE	APPROVED



NOTES:
ITEM# 2 SHOWN FOR VISUAL REFERENCE ONLY,

PROPRIETARY AND CONFIDENTIAL
THE INFORMATION CONTAINED IN THIS DRAWING IS THE SOLE PROPERTY OF FIBERDYNE LABS INC. ANY REPRODUCTION IN PART OR AS A WHOLE WITHOUT THE WRITTEN PERMISSION OF FIBERDYNE LABS INC IS PROHIBITED.

UNLESS OTHERWISE SPECIFIED:		NAME	DATE	FIBERDYNE LABS, INC			
DIMENSIONS ARE IN INCHES		DRAWN	FMO		04/11/19		
TOLERANCES:		CHECKED		TITLE:			
FRACTIONAL ±		ENG APPR.	FMO	04/11/19	FA WB-LGX1-CM Wall Bracket (kit)		
ANGULAR: MACH ± BEND ±		MFG APPR.			SIZE	DWG. NO.	REV
TWO PLACE DECIMAL ±.01		Q.A.			B	120_12761_001	
THREE PLACE DECIMAL ±.005		COMMENTS:	CAD FILE: 120_12761_001.SLDASM		SCALE: 1:2	SHEET 1 OF 1	
INTERPRET GEOMETRIC TOLERANCING PER:							
MATERIAL							
SEE BOM							
FINISH							
NA							
NEXT ASSY	USED ON						
APPLICATION		DO NOT SCALE DRAWING					