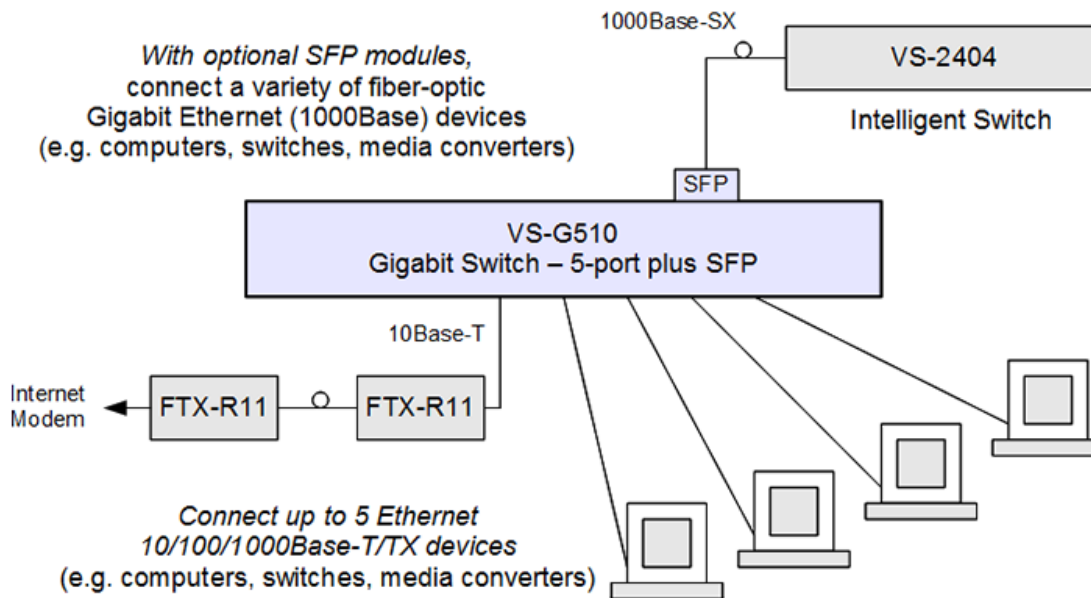


Purpose:

To describe Fiberdyne's compact Gigabit Switch. This switch includes five 10/100/1000Base-T (i.e. twisted-pair) ports. The switch also includes a slot for Gigabit SFP (Small Form-factor Pluggable) modules. Therefore, the switch has 6-ports, when the optional SFP is installed. *Note:* Fiberdyne offers a variety of twisted-pair, multimode fiber and single-mode fiber SFPs.

Conceptual Usage:



This gigabit switch offers five 10/100/1000Base-T/TX ports, plus one gigabit SFP slot for optional SFP modules.

Features:

- Complies with IEEE 802.3 (incl. 802.3u/x/z/ab)
- Auto-negotiation and Auto-MDI/MDIX on TP ports
- Auto-negotiation (i.e. duplexing) on fiber-SFP ports (if installed)
- Prevents packet loss with back pressure and flow control
- Status LEDs: Power, Data-rate, and Link/Activity
- Connectors: RJ-45 (T/TX), LC (SFP – 1000Base-SX/LX/1550/CWDM/etc.)

Advanced Features: Management

- In-band (web-based) management interface
- Port, status monitoring and control
- VLAN (Virtual LAN): port-based and tag-based
- QoS (Quality of Service)
- Port trunking and port-mirroring

Standard Configuration:

- Compact package
- 5 – RJ-45 connections for 10/100/1000Base-T/TX
- 1 – SFP slot for 1000Base SFP transceiver modules

Options: (see Ordering Information for part numbers)

- SFP module for twisted-pair (TP) applications
- SFP for multimode or single-mode fiber applications
- SFP for CWDM (Coarse Wavelength Division Multiplexing) applications
- SFP for DWDM (Dense WDM) applications
- SFP for BiDi (bi-directional, single-fiber) applications
- Power Supplies: 120 or 240 VAC input

Specifications:

Item Description	Value	
Standard Compliance	– IEEE 802.3, IEEE 802.3u, IEEE 802.3x (flow control), IEEE 802.3z/ab (Gigabit Ethernet) – IEEE 802.1P (QoS, Quality of Service) – IEEE 802.1Q (VLAN) – FCC Class A, CE mark Class A	
Ports	5 – 10/100/1000Base-T/TX (RJ-45) 1 – SFP Slot available (RJ-45 or LC, SFP Module sold separately)	
Port Capability	Auto-MDI/MDIX (RJ-45), Auto-negotiate (all)	
Memory	MAC Address: 8K Entries	
Management	In-band (using web-browser)	
Trunking	2 groups (max.) 2 ports/group	
QoS	4 Priority queues (port based)	
Temperature	Operating: 0 to 40 °C	Storage: -20 to 70 °C
Humidity (non-condensing)	10 to 90 %	
Dimensions	144 mm x 105 mm x 26 mm (5.7 inch x 4.1 inch x 1.0 inch)	
Power Supply (included)*	Input: 120 VAC, 60 Hz, 8 W max. Output: 7.5 VDC, 1.5 A	
Power (consumption)	< 4 W (@ 7.5 VDC)	

***Note:** A 240-VAC power supply is also available by special request.

Ordering Information:

Description	Part Number
Gigabit Switch, 5-port plus SFP slot	VS-G510
Gigabit SFP: (sold separately) <ul style="list-style-type: none"> • 1000Base-T, RJ-45 • 1000Base-SX, MM, LC • 1000Base-LX, MM/SM, LC • 1000Base-ZX, SM (1550-nm), LC • 1000Base-CWDM, SM, LC • 1000Base-DWDM, SM, LC • 1000Base-B (BiDi), SM, LC 	FGE-SFP-T FGE-SFP-S FGE-SFP-L FGE-SFP-Z FGE-SFP-C-xxxx ** FGE-SFP-D-CHXX *** FGE-SFP-B-(A/O) ****

Notes:

- ** For CWDM SFPs, specify the wavelength (xxxx-nm); reference Fiberdyne’s Ethernet-Products web-pages.
- *** For DWDM SFPs. Specify the “channel number” (XX) per the ITU Grid
- **** For Bi-Directional (i.e. single-fiber) applications, these SFPs are used in pairs. One end uses “Alpha,” and the other end uses “Omega”.

