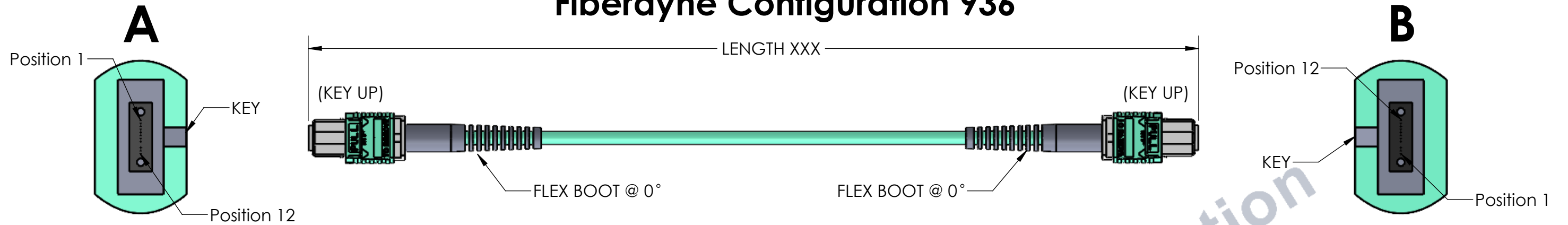


Fiberdyne Configuration 936



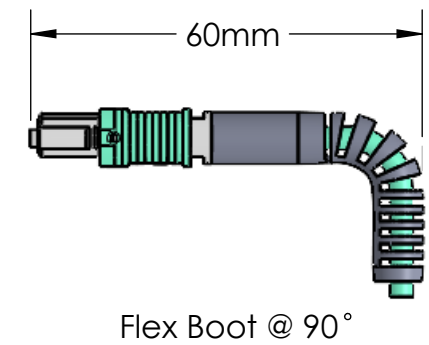
OM3 / OM4 MPO Assemblies

Fiberdyne Part Number	Cable Type 50/125 OM3 (Max 100m)	Fiber Count	End A Connector	End B Connector	Guide Pin P=Pinned(Male) NP=Non-Pinned(Female)	Insertion Loss (IL) Standard / Low Loss*
FMT-936010-XXXM	3mm Round Plenum OM3	12	MPO 1x12	MPO 1x12	NP-NP	<.75
FMT-936020-XXXM	3mm Round Plenum OM3	12	MPO 1x12	MPO 1x12	NP-P	<.75
FMT-936040-XXXM	3mm Round Plenum OM3	12	MPO 1x12	MPO 1x12	P-P	<.75
FMT-936050-XXXM	3mm Round Plenum OM3	12	MPO 1x12	MPO 1x12	NP-NP	<.35
FMT-936060-XXXM	3mm Round Plenum OM3	12	MPO 1x12	MPO 1x12	NP-P	<.35
FMT-936080-XXXM	3mm Round Plenum OM3	12	MPO 1x12	MPO 1x12	P-P	<.35
Fiberdyne Part Number	Cable Type 50/125 OM4 (Max 150m)	Fiber Count	End A Connector	End B Connector	Guide Pin P=Pinned(Male) NP=Non-Pinned(Female)	Insertion Loss (IL) Standard / Low Loss*
FMT-936110-XXXM	3mm Round Plenum OM4	12	MPO 1x12	MPO 1x12	NP-NP	<.75
FMT-936120-XXXM	3mm Round Plenum OM4	12	MPO 1x12	MPO 1x12	NP-P	<.75
FMT-936140-XXXM	3mm Round Plenum OM4	12	MPO 1x12	MPO 1x12	P-P	<.75
FMT-936150-XXXM	3mm Round Plenum OM4	12	MPO 1x12	MPO 1x12	NP-NP	<.35
FMT-936160-XXXM	3mm Round Plenum OM4	12	MPO 1x12	MPO 1x12	NP-P	<.35
FMT-936180-XXXM	3mm Round Plenum OM4	12	MPO 1x12	MPO 1x12	P-P	<.35

*Insertion Loss per Connector Only

Fiberdyne Configuration 936

MPO-MPO, 12 Position 12 Fiber OM3/OM4 w/ Flex Boots Type B			
Fiber Color Connector A	Position # Connector A	Position # Connector B	Fiber Color Connector B
Blue	1	12	Blue
Orange	2	11	Orange
Green	3	10	Green
Brown	4	9	Brown
Grey	5	8	Grey
White	6	7	White
Red	7	6	Red
Black	8	5	Black
Yellow	9	4	Yellow
Purple	10	3	Purple
Pink	11	2	Pink
Aqua	12	1	Aqua



ZONE	REV.	DESCRIPTION	DATE	APPROVED
	-2	Delete 100G Base Column / Replace Pin with Position in Description	9/26/2024	FMO
	-1	Original Publication	9/18/24	FMO
REVISIONS				

Fiberdyne Labs Inc. Frankfort, NY
www.fiberdyne.com

PROPRIETARY AND CONFIDENTIAL
THE INFORMATION CONTAINED IN THIS DRAWING IS THE SOLE PROPERTY OF Fiberdyne Labs Inc. ANY REPRODUCTION IN PART OR AS A WHOLE WITHOUT THE WRITTEN PERMISSION OF Fiberdyne Labs Inc IS PROHIBITED.

RoHS

FIBERDYNE LABS INC.		
TITLE: Fiberdyne Configuration 936 MPO - MPO 12 Position 12 Fiber OM3/OM4, w/ Flex Boots Type B		
SIZE B	DWG. NO. 900_13478_001	REV -2
SCALE: 1:1		SHEET 1 OF 1