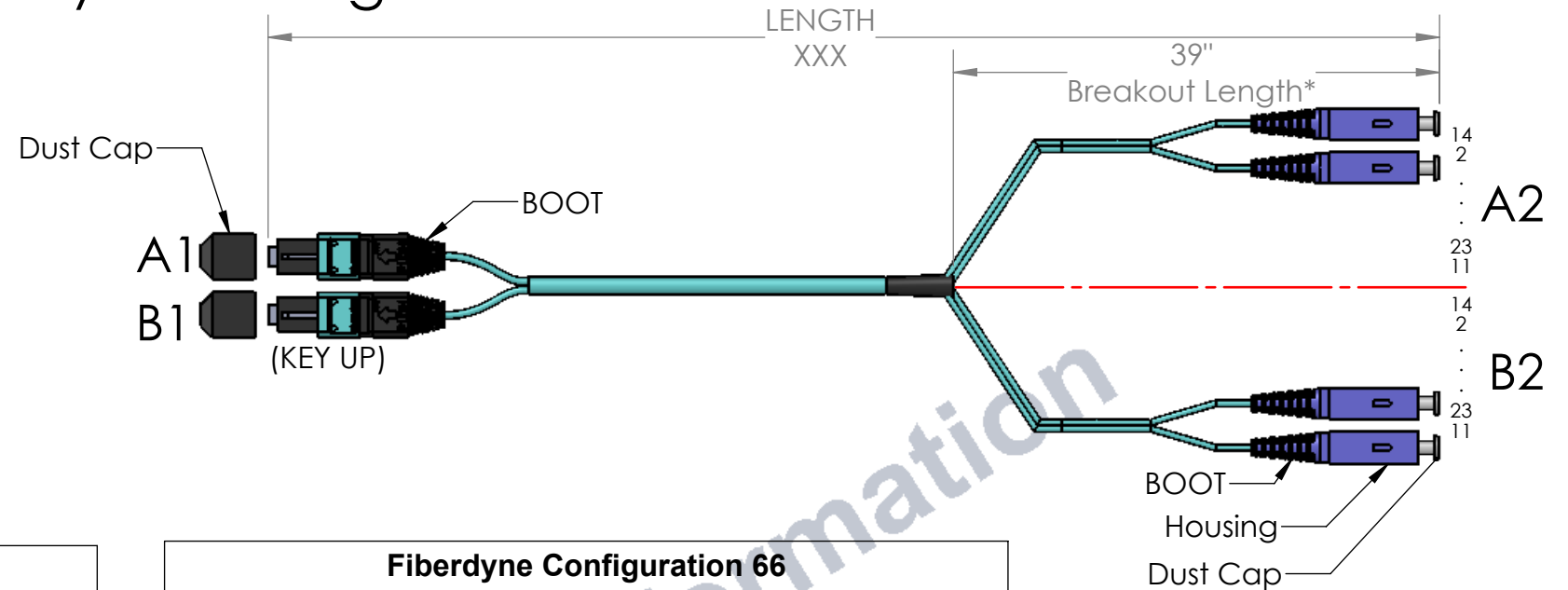
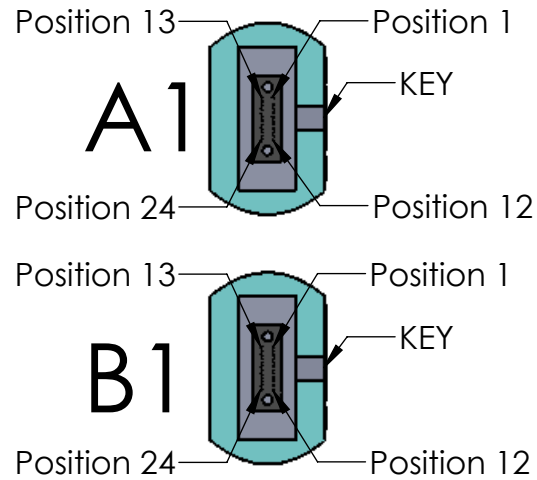


Fiberdyne Configuration 74



100Gb MPO Assemblies

Fiberdyne Part Number	Fiberdyne Configuration 74	Cable Type 50/125 OM3 (Max 100m)	Fiber Count	End A1 & B1 Connector	SC Connectors A2 & B2	Guide Pin P=Pinned(Male) NP=Non-Pinned(Female)	Insertion Loss (IL) Standard / Low Loss*
FMT-074010-XXXM	100GBASE-SR10	3mm Round Plenum OM3	48	MPO 1x12	SC	NP-NP	<.75
FMT-074020-XXXM	100GBASE-SR10	3mm Round Plenum OM3	48	MPO 1x12	SC	NP-P	<.75
FMT-074030-XXXM	100GBASE-SR10	3mm Round Plenum OM3	48	MPO 1x12	SC	P-NP	<.75
FMT-074040-XXXM	100GBASE-SR10	3mm Round Plenum OM3	48	MPO 1x12	SC	P-P	<.75
FMT-074050-XXXM	100GBASE-SR10	3mm Round Plenum OM3	48	MPO 1x12	SC	NP-NP	<.35
FMT-074060-XXXM	100GBASE-SR10	3mm Round Plenum OM3	48	MPO 1x12	SC	NP-P	<.35
FMT-074070-XXXM	100GBASE-SR10	3mm Round Plenum OM3	48	MPO 1x12	SC	P-NP	<.35
FMT-074080-XXXM	100GBASE-SR10	3mm Round Plenum OM3	48	MPO 1x12	SC	P-P	<.35
Fiberdyne Part Number	Fiberdyne Configuration 74	Cable Type 50/125 OM4 (Max 150m)	Fiber Count	End A1 & B1 Connector	SC Connectors A2 & B2	Guide Pin P=Pinned(Male) NP=Non-Pinned(Female)	Insertion Loss (IL) Standard / Low Loss*
FMT-074110-XXXM	100GBASE-SR10	3mm Round Plenum OM4	48	MPO 1x12	SC	NP-NP	<.75
FMT-074120-XXXM	100GBASE-SR10	3mm Round Plenum OM4	48	MPO 1x12	SC	NP-P	<.75
FMT-074130-XXXM	100GBASE-SR10	3mm Round Plenum OM4	48	MPO 1x12	SC	P-NP	<.75
FMT-074140-XXXM	100GBASE-SR10	3mm Round Plenum OM4	48	MPO 1x12	SC	P-P	<.75
FMT-074150-XXXM	100GBASE-SR10	3mm Round Plenum OM4	48	MPO 1x12	SC	NP-NP	<.35
FMT-074160-XXXM	100GBASE-SR10	3mm Round Plenum OM4	48	MPO 1x12	SC	NP-P	<.35
FMT-074170-XXXM	100GBASE-SR10	3mm Round Plenum OM4	48	MPO 1x12	SC	P-NP	<.35
FMT-074180-XXXM	100GBASE-SR10	3mm Round Plenum OM4	48	MPO 1x12	SC	P-P	<.35

*Insertion Loss for Connector Only

Fiberdyne Configuration 66

MPO-SC, Two 24 Pin 20 Fiber MPO to Two Groups of 20 SC, 100G, Option A, 2mm Breakout					
Fiber Color Connector A1	Lane Assignment Connector A1	Pin # Connector A1	Breakout A2, SC, Pin Polarity	Lane Assignment Connector A2	Fiber Color Connector A2
Blue	Not Used	1	1	Not Used	Blue
Orange	RX0	2	14	TX0	Orange
Green	RX1	3	15	TX1	Green
Brown	RX2	4	16	TX2	Brown
Grey	RX3	5	17	TX3	Grey
White	RX4	6	18	TX4	White
Red	RX5	7	19	TX5	Red
Black	RX6	8	20	TX6	Black
Yellow	RX7	9	21	TX7	Yellow
Purple	RX8	10	22	TX8	Purple
Pink	RX9	11	23	TX9	Pink
Aqua	Not Used	12	12	Not Used	Aqua
Blue	Not Used	13	13	Not Used	Blue
Orange	TX0	14	2	RX0	Orange
Green	TX1	15	3	RX1	Green
Brown	TX2	16	4	RX2	Brown
Grey	TX3	17	5	RX3	Grey
White	TX4	18	6	RX4	White
Red	TX5	19	7	RX5	Red
Black	TX6	20	8	RX6	Black
Yellow	TX7	21	9	RX7	Yellow
Purple	TX8	22	10	RX8	Purple
Pink	TX9	23	11	RX9	Pink
Aqua	Unused	24	24	Unused	Aqua

*Pin configuration shown also applies to MPO B1 to group B2 of 20 SC

*-39" standard breakout length, custom lengths available
-Custom Connectors also available

RoHS

Fiberdyne Labs Inc. Frankfort, NY
www.fiberdyne.com

PROPRIETARY AND CONFIDENTIAL
THE INFORMATION CONTAINED IN THIS DRAWING IS THE SOLE PROPERTY OF Fiberdyne Labs Inc. ANY REPRODUCTION IN PART OR AS A WHOLE WITHOUT THE WRITTEN PERMISSION OF Fiberdyne Labs Inc IS PROHIBITED.

FIBERDYNE LABS INC.		
TITLE: Fiberdyne Configuration 74		
MPO-SC, Two 24 Pin 20 Fiber MPO to Two Groups of 20 SC, 100G		
Option A		
SIZE B	DWG. NO. 075-11799-001	REV A
SCALE: 1:1	ECR: 14006-001	SHEET 1 OF 1