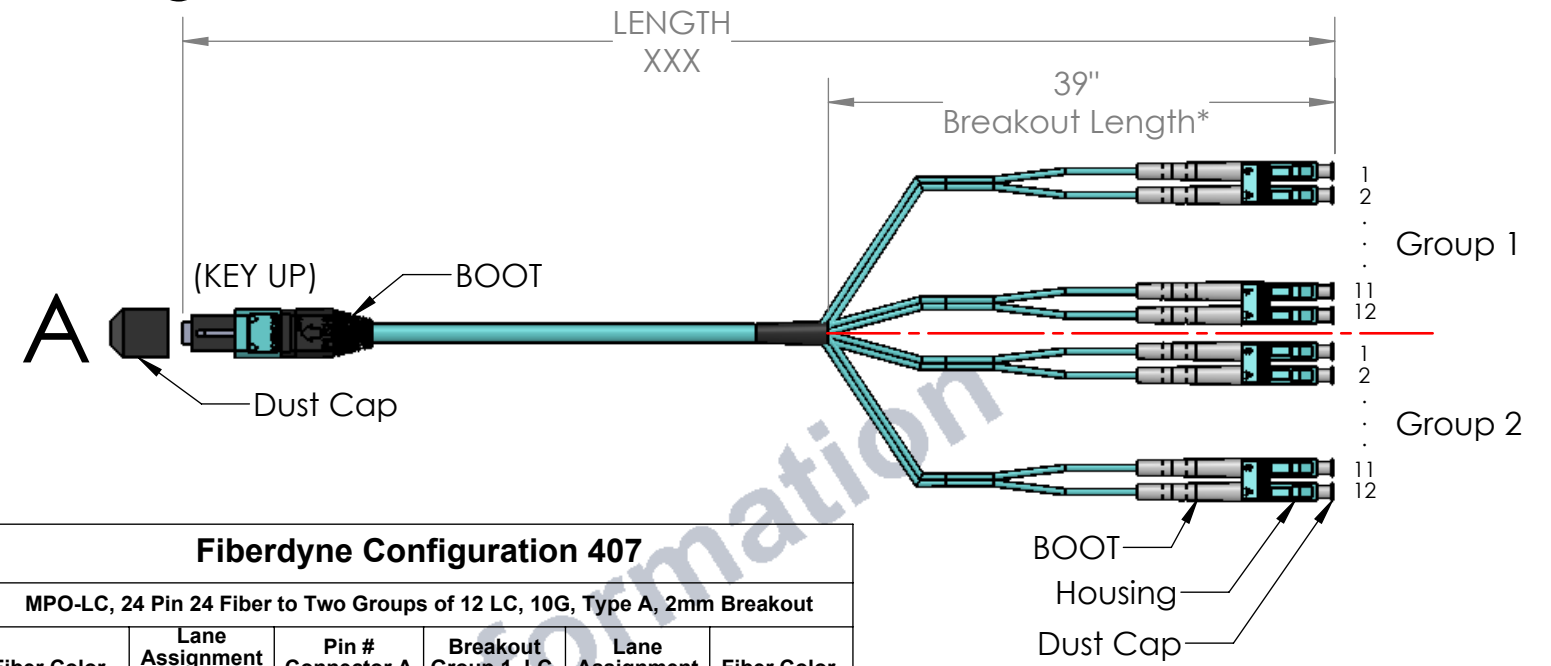
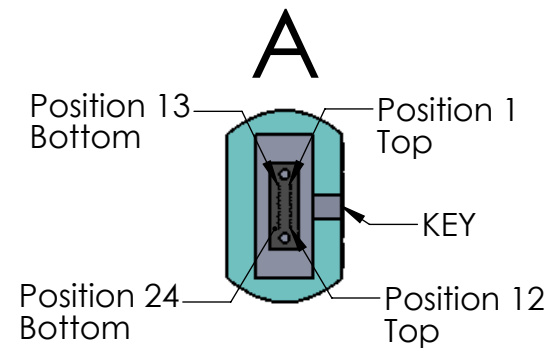


Fiberdyne Configuration 407



* -39" standard breakout length, custom lengths available
-Custom Connectors also available

10Gb MPO Assemblies

Fiberdyne Part Number	Fiberdyne Configuration 407	Cable Type 50/125 OM3 (Max 100m)	Fiber Count	End A Connector	End B Connector	Guide Pin P=Pinned(Male) NP=Non-Pinned(Female)	Insertion Loss (IL) Standard / Low Loss*
FMT-407010-XXXM	10GBASE-SR	3mm Round Plenum OM3	24	MPO 1x12	Duplex LC	NP-NP	<.75
FMT-407020-XXXM	10GBASE-SR	3mm Round Plenum OM3	24	MPO 1x12	Duplex LC	NP-P	<.75
FMT-407030-XXXM	10GBASE-SR	3mm Round Plenum OM3	24	MPO 1x12	Duplex LC	P-NP	<.75
FMT-407040-XXXM	10GBASE-SR	3mm Round Plenum OM3	24	MPO 1x12	Duplex LC	P-P	<.75
FMT-407050-XXXM	10GBASE-SR	3mm Round Plenum OM3	24	MPO 1x12	Duplex LC	NP-NP	<.35
FMT-407060-XXXM	10GBASE-SR	3mm Round Plenum OM3	24	MPO 1x12	Duplex LC	NP-P	<.35
FMT-407070-XXXM	10GBASE-SR	3mm Round Plenum OM3	24	MPO 1x12	Duplex LC	P-NP	<.35
FMT-407080-XXXM	10GBASE-SR	3mm Round Plenum OM3	24	MPO 1x12	Duplex LC	P-P	<.35
Fiberdyne Part Number	Fiberdyne Configuration 407	Cable Type 50/125 OM4 (Max 150m)	Fiber Count	End A Connector	End B Connector	Guide Pin P=Pinned(Male) NP=Non-Pinned(Female)	Insertion Loss (IL) Standard / Low Loss*
FMT-407110-XXXM	10GBASE-SR	3mm Round Plenum OM4	24	MPO 1x12	Duplex LC	NP-NP	<.75
FMT-407120-XXXM	10GBASE-SR	3mm Round Plenum OM4	24	MPO 1x12	Duplex LC	NP-P	<.75
FMT-407130-XXXM	10GBASE-SR	3mm Round Plenum OM4	24	MPO 1x12	Duplex LC	P-NP	<.75
FMT-407140-XXXM	10GBASE-SR	3mm Round Plenum OM4	24	MPO 1x12	Duplex LC	P-P	<.75
FMT-407150-XXXM	10GBASE-SR	3mm Round Plenum OM4	24	MPO 1x12	Duplex LC	NP-NP	<.35
FMT-407160-XXXM	10GBASE-SR	3mm Round Plenum OM4	24	MPO 1x12	Duplex LC	NP-P	<.35
FMT-407170-XXXM	10GBASE-SR	3mm Round Plenum OM4	24	MPO 1x12	Duplex LC	P-NP	<.35
FMT-407180-XXXM	10GBASE-SR	3mm Round Plenum OM4	24	MPO 1x12	Duplex LC	P-P	<.35

*Insertion Loss for Connector Only

Fiberdyne Configuration 407

MPO-LC, 24 Pin 24 Fiber to Two Groups of 12 LC, 10G, Type A, 2mm Breakout					
Fiber Color	Lane Assignment Connector A Top	Pin # Connector A Top	Breakout Group 1, LC, Pin Polarity	Lane Assignment Group 1	Fiber Color
Blue	TX1	1	1	RX1	Blue
Orange	RX1	2	2	TX1	Orange
Green	TX2	3	3	RX2	Green
Brown	RX2	4	4	TX2	Brown
Grey	TX3	5	5	RX3	Grey
White	RX3	6	6	TX3	White
Red	TX4	7	7	RX4	Red
Black	RX4	8	8	TX4	Black
Yellow	TX5	9	9	RX5	Yellow
Purple	RX5	10	10	TX5	Purple
Pink	TX6	11	11	RX6	Pink
Aqua	RX6	12	12	TX6	Aqua
Fiber Color	Lane Assignment Connector A Bottom	Pin # Connector A Bottom	Breakout Group 2, LC, Pin Polarity	Lane Assignment Group 2	Fiber Color
Blue	TX1	1	1	RX1	Blue
Orange	RX1	2	2	TX1	Orange
Green	TX2	3	3	RX2	Green
Brown	RX2	4	4	TX2	Brown
Grey	TX3	5	5	RX3	Grey
White	RX3	6	6	TX3	White
Red	TX4	7	7	RX4	Red
Black	RX4	8	8	TX4	Black
Yellow	TX5	9	9	RX5	Yellow
Purple	RX5	10	10	TX5	Purple
Pink	TX6	11	11	RX6	Pink
Aqua	RX6	12	12	TX6	Aqua

RoHS

FIBERDYNE LABS INC.

TITLE: Fiberdyne Configuration 407
MPO-LC, 24 Pin 24 Fiber to Two Groups of 12 LC, 10G
Type A

SIZE B	DWG. NO. 075-12151-001	REV A
SCALE: 1:1		ECR: 14006-001
SHEET 1 OF 1		

Fiberdyne Labs Inc. Frankfort, NY
www.fiberdyne.com

PROPRIETARY AND CONFIDENTIAL
THE INFORMATION CONTAINED IN THIS DRAWING IS THE SOLE PROPERTY OF Fiberdyne Labs Inc. ANY REPRODUCTION IN PART OR AS A WHOLE WITHOUT THE WRITTEN PERMISSION OF Fiberdyne Labs Inc IS PROHIBITED.