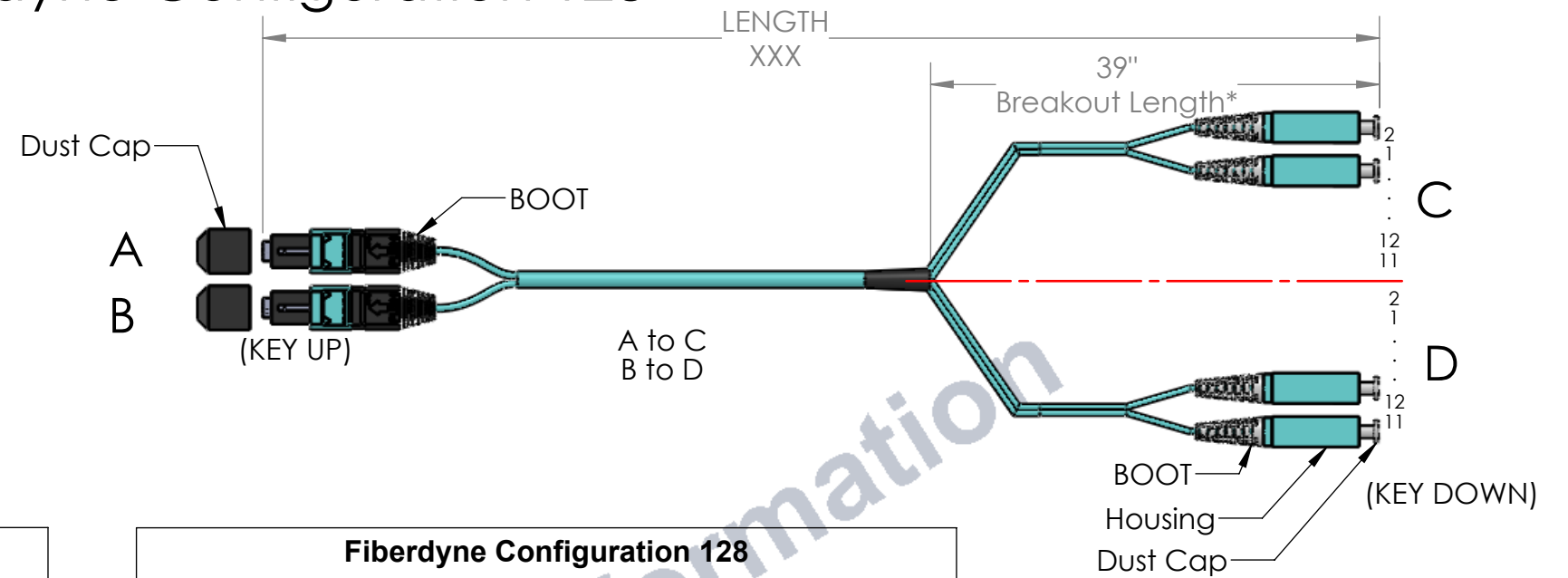
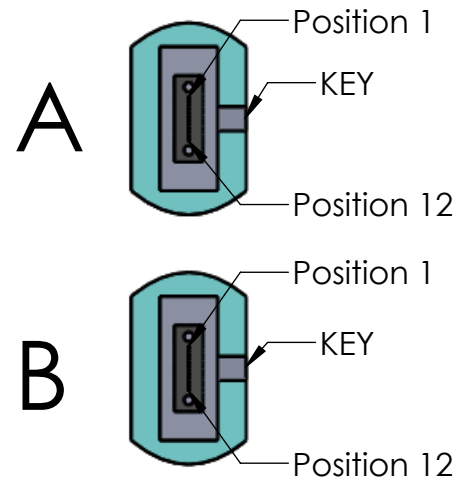


Fiberdyne Configuration 128



10Gb MPO Assemblies

| Fiberdyne Part Number | Fiberdyne Configuration 128 | Cable Type 50/125 OM3 (Max 100m) | Fiber Count | MPO End Connector | SC Connectors | Guide Pin P=Pinned(Male) NP=Non-Pinned(Female) | Insertion Loss (IL) Standard / Low Loss* |
|-----------------------|-----------------------------|----------------------------------|-------------|-------------------|---------------|--|--|
| FMT-128010-XXXM | 10GBASE-SR | 3mm Round Plenum OM3 | 24 | MPO 1x12 | SC | NP-NP | <.75 |
| FMT-128020-XXXM | 10GBASE-SR | 3mm Round Plenum OM3 | 24 | MPO 1x12 | SC | NP-P | <.75 |
| FMT-128030-XXXM | 10GBASE-SR | 3mm Round Plenum OM3 | 24 | MPO 1x12 | SC | P-NP | <.75 |
| FMT-128040-XXXM | 10GBASE-SR | 3mm Round Plenum OM3 | 24 | MPO 1x12 | SC | P-P | <.75 |
| FMT-128050-XXXM | 10GBASE-SR | 3mm Round Plenum OM3 | 24 | MPO 1x12 | SC | NP-NP | <.35 |
| FMT-128060-XXXM | 10GBASE-SR | 3mm Round Plenum OM3 | 24 | MPO 1x12 | SC | NP-P | <.35 |
| FMT-128070-XXXM | 10GBASE-SR | 3mm Round Plenum OM3 | 24 | MPO 1x12 | SC | P-NP | <.35 |
| FMT-128080-XXXM | 10GBASE-SR | 3mm Round Plenum OM3 | 24 | MPO 1x12 | SC | P-P | <.35 |
| Fiberdyne Part Number | Fiberdyne Configuration 128 | Cable Type 50/125 OM4 (Max 150m) | Fiber Count | MPO End Connector | SC Connectors | Guide Pin P=Pinned(Male) NP=Non-Pinned(Female) | Insertion Loss (IL) Standard / Low Loss* |
| FMT-128110-XXXM | 10GBASE-SR | 3mm Round Plenum OM4 | 24 | MPO 1x12 | SC | NP-NP | <.75 |
| FMT-128120-XXXM | 10GBASE-SR | 3mm Round Plenum OM4 | 24 | MPO 1x12 | SC | NP-P | <.75 |
| FMT-128130-XXXM | 10GBASE-SR | 3mm Round Plenum OM4 | 24 | MPO 1x12 | SC | P-NP | <.75 |
| FMT-128140-XXXM | 10GBASE-SR | 3mm Round Plenum OM4 | 24 | MPO 1x12 | SC | P-P | <.75 |
| FMT-128150-XXXM | 10GBASE-SR | 3mm Round Plenum OM4 | 24 | MPO 1x12 | SC | NP-NP | <.35 |
| FMT-128160-XXXM | 10GBASE-SR | 3mm Round Plenum OM4 | 24 | MPO 1x12 | SC | NP-P | <.35 |
| FMT-128170-XXXM | 10GBASE-SR | 3mm Round Plenum OM4 | 24 | MPO 1x12 | SC | P-NP | <.35 |
| FMT-128180-XXXM | 10GBASE-SR | 3mm Round Plenum OM4 | 24 | MPO 1x12 | SC | P-P | <.35 |

*Insertion Loss for Connector Only

Fiberdyne Configuration 128

| MPO-SC, Two 12 Pin 12 Fiber MPO to Two Groups of 12 SC, 10G, Type C, 2mm Breakout | | | | | |
|---|-----------------------------|-------------------|------------------------------|-----------------------------|-------------|
| Fiber Color | Lane Assignment Connector A | Pin # Connector A | Breakout C, SC, Pin Polarity | Lane Assignment Connector C | Fiber Color |
| Blue | TX1 | 1 | 2 | RX1 | Blue |
| Orange | RX1 | 2 | 1 | TX1 | Orange |
| Green | TX2 | 3 | 4 | RX2 | Green |
| Brown | RX2 | 4 | 3 | TX2 | Brown |
| Grey | TX3 | 5 | 6 | RX3 | Grey |
| White | RX3 | 6 | 5 | TX3 | White |
| Red | TX4 | 7 | 8 | RX4 | Red |
| Black | RX4 | 8 | 7 | TX4 | Black |
| Yellow | TX5 | 9 | 10 | RX5 | Yellow |
| Purple | RX5 | 10 | 9 | TX5 | Purple |
| Pink | TX6 | 11 | 12 | RX6 | Pink |
| Aqua | RX6 | 12 | 11 | TX6 | Aqua |

*Pin configuration shown also applies to MPO B to group D of 12 SCs

*-39" standard breakout length, custom lengths available
-Custom Connectors also available

RoHS

FIBERDYNE LABS INC.

TITLE: Fiberdyne Configuration 128
MPO-SC, Two 12 Pin 12 Fiber MPO to Two Groups of 12 SC, 10G
Type C

| | | |
|------------------|---------------------------|----------|
| SIZE B | DWG. NO. 075-11853-001 | REV A |
|------------------|---------------------------|----------|

SCALE: 1:1 ECR: 14006-001 SHEET 1 OF 1

Fiberdyne Labs Inc. Frankfort, NY
www.fiberdyne.com

PROPRIETARY AND CONFIDENTIAL
THE INFORMATION CONTAINED IN THIS DRAWING IS THE SOLE PROPERTY OF Fiberdyne Labs Inc. ANY REPRODUCTION IN PART OR AS A WHOLE WITHOUT THE WRITTEN PERMISSION OF Fiberdyne Labs Inc IS PROHIBITED.