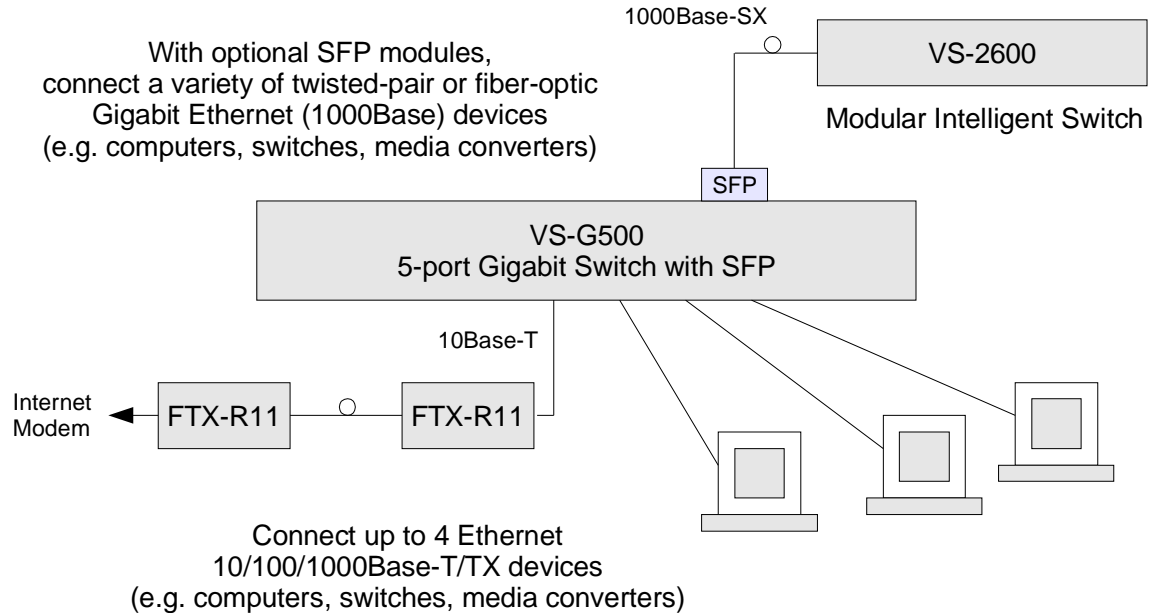


Purpose:

To describe Fiberdyne's 5-port Gigabit Switch. This switch includes four 10/100/1000Base-T (i.e. twisted-pair) ports. The switch also includes a slot for Gigabit SFP (Small Form-factor Pluggable) modules. Note: Fiberdyne offers a variety of twisted-pair, multimode fiber and single-mode fiber SFPs.

Conceptual Usage:



This gigabit switch offers four 10/100/1000Base-T/TX ports, plus one gigabit SFP slot for optional SFP modules.

Standard Configuration:

- Compact package
- 4 – RJ-45 connections for 10/100/1000Base-T/TX
- 1 – SFP slot for 1000Base-T/SX/LX/1550/CWDM SFP modules

Options: (see Ordering Information for part numbers)

- SFP module for twisted-pair (TP) applications
- SFP modules for multimode or single-mode fiber applications
- SFP for CWDM (Coarse Wavelength Division Multiplexing) applications

5-Port, Gigabit Switch with SFP slot	Fiberdyne Labs, Inc. Product Specification
-------------------------------------------------	-------------------------------------------------------

Features:

- Complies with IEEE 802.3 (incl. 802.3u/x/z/ab)
- Auto-negotiation and Auto-MDI/MDIX on TP ports
- Auto-negotiation (i.e. duplexing) on fiber-SFP ports (if installed)
- Prevents packet loss with back pressure and flow control
- Status LEDs: Power, Speed, and Link/Activity
- Connectors: RJ-45 (T/TX), LC (SFP – 1000Base-SX/LX/1550/CWDM)

Specifications:

<i>Item Description</i>	<i>Value</i>	
Standard Compliance	IEEE 802.3, IEEE 802.3u, IEEE 802.3x (flow control), IEEE 802.3z/ab (Gigabit Ethernet)	
Ports	4 – 10/100/1000Base-T/TX (RJ-45) 1 – SFP slot available (RJ-45 or LC, SFP module sold separately)	
Port Capability	Auto-MDI/MDIX (RJ-45), Auto-negotiate (all)	
Memory	MAC Address: 4K Entries RAM Buffer: 1M Bytes	
Temperature *	Operating: 0 to 40 °C	Storage: -10 to 70 °C
* Humidity (non-condensing)	10 to 90 %	
Dimensions (W x D x H)	171 mm x 98 mm x 29 mm (6.7 inch x 3.9 inch x 1.1 inch)	
Power	Input: 120 VAC, 60 Hz, 8 W max. (power-pack included) Output: 7.5 VDC, 1.5 A	

Ordering Information:

<i>Description</i>	<i>Part Number</i>
5-port Gigabit Switch with SFP slot	VS-G500
Gigabit SFP: (sold separately) <ul style="list-style-type: none"> • 1000Base-T, RJ-45 • 1000Base-SX, MM, LC • 1000Base-LX, MM/SM, LC • 1000Base-ZX, SM (1550-nm), LC • 1000Base-CWDM, SM, LC 	FGE-SFP-T FGE-SFP-S FGE-SFP-L FGE-SFP-Z FGE-SFP-C-xxxx **

Note: ** for CWDM SFPs, wavelength (xxxx) must be specified; reference Fiberdyne's Ethernet-Products web-pages.