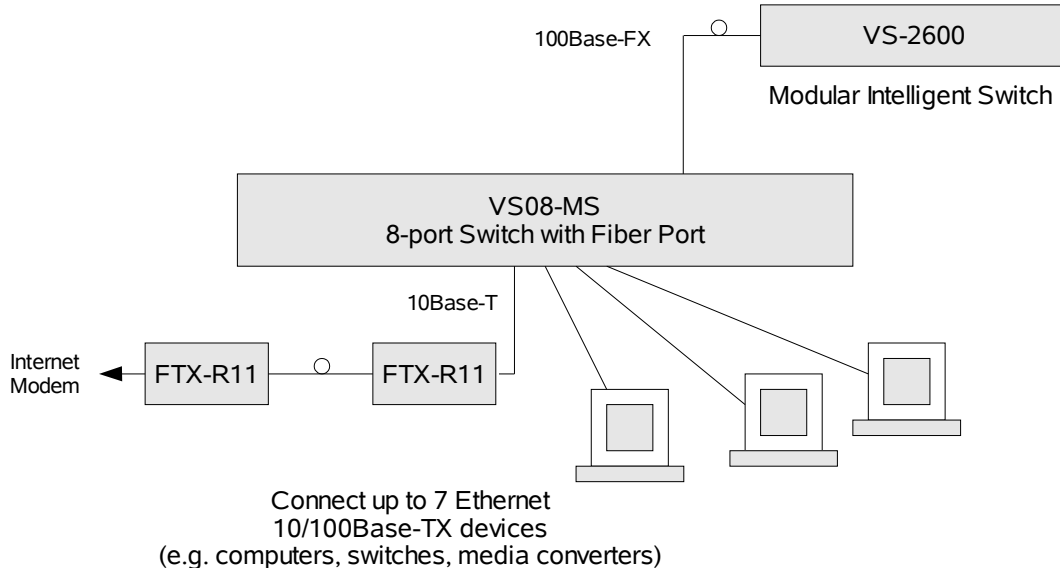


### Purpose:

To describe Fiberdyne's 8-port Switches. One version includes eight 10/100Base-TX ports, while the others include seven 10/100Base-TX ports and one 100Base-FX port. This switch also supports Auto-MDI/MDIX on the 10/100Base-TX ports.

### Conceptual Usage:



*This switch offers eight ports, total, as two variants: (1) eight 10/100Base-TX ports, or (2) seven 10/100Base-TX ports plus one 100Base-FX port.*

### Features:

- Complies with IEEE Std. 802.3 (Ethernet/Fast Ethernet)
- 10/100Base-TX ports are auto-sensing, auto-negotiation and Auto MDI/MDIX
- For fiber-equipped switch: Multimode or single-mode fiber connections
- VLAN Concentrator to fiber port; each RJ-45 port can have separate VLAN
- Uses flow control to prevent packet loss
- Store and forward switching; full wire-speed forwarding/filtering
- Learns/stores MAC address entries
- Status LEDs: Power, Link/Speed/Activity and Duplex/Collision

# 8-port Ethernet Switches

Fiberdyne Labs, Inc.  
Product Specification

## Standard Configuration:

- Compact size with data and power connections on the rear
- RJ-45 connections with Auto MDI/MDI-X, for 10/100Base-TX ports
- One 100Base-FX (fiber) connection (if equipped)

## Options: (see Ordering Information for part numbers)

- With or without fiber capability
- 100Base-FX port can be multimode SC or ST
- 100Base-FX port can be single-mode SC

## Specifications:

<b>Item Description</b>	<b>Value</b>
Standard Compliance	IEEE 802.3, IEEE 802.3u, IEEE 802.3x (flow control)
TX Ports	Shielded RJ-45 Auto MDI/MDI-X Auto-negotiation: 10/100Base, Full/Half Duplex Maximum cable length: 100 meters
FX Port (if equipped)	Fixed 100Base (Fast Ethernet) operation Transmitted wavelength: 1300 nm Multimode (62.5/125 or 50/125 $\mu$ m): <ul style="list-style-type: none"><li>– Maximum Distance: 2 km</li><li>– Transmit Power: -20 to -14 dBm</li><li>– Receiver sensitivity: -31 dBm</li></ul> Single-mode: 20 km <ul style="list-style-type: none"><li>– Transmit Power: -15 to -8 dBm</li><li>– Receiver sensitivity: -31 dBm</li></ul>
Forwarding/Filtering	Rate: 14,880 pps (10Base-T), 148,800 pps (100Base) Multicast/Broadcast/Unicast address
Temperature – Operating *	0 to 60 °C
* Humidity (non-condensing)	5 to 90 %
Dimensions	180mm x 105 mm x 26 mm (7.1 inch x 4.1 inch x 1.0 inch)
Power	100 ~ 240VAC, 50/60 Hz (power pack included)
DC Input (from power pack)	5 VDC (10 watts, max.)

## Ordering Information:

<b>Description</b>	<b>Part Number</b>
8-port 10/100Base-TX Switch	VS08
8-port Switch with Multimode, SC	VS08A-MS
8-port Switch with Multimode, ST	VS08A-MT
8-port Switch with Single-mode, SC, 20 km	VS08A-S2