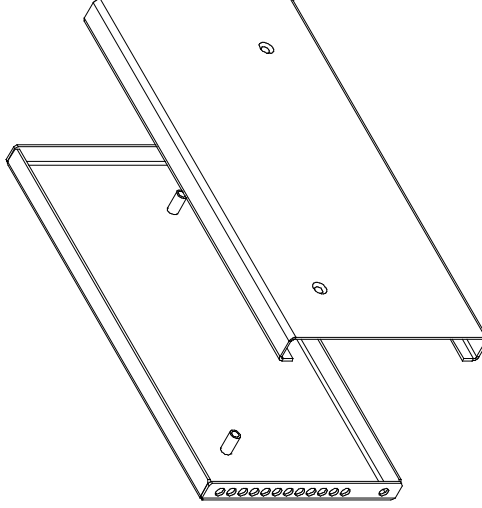
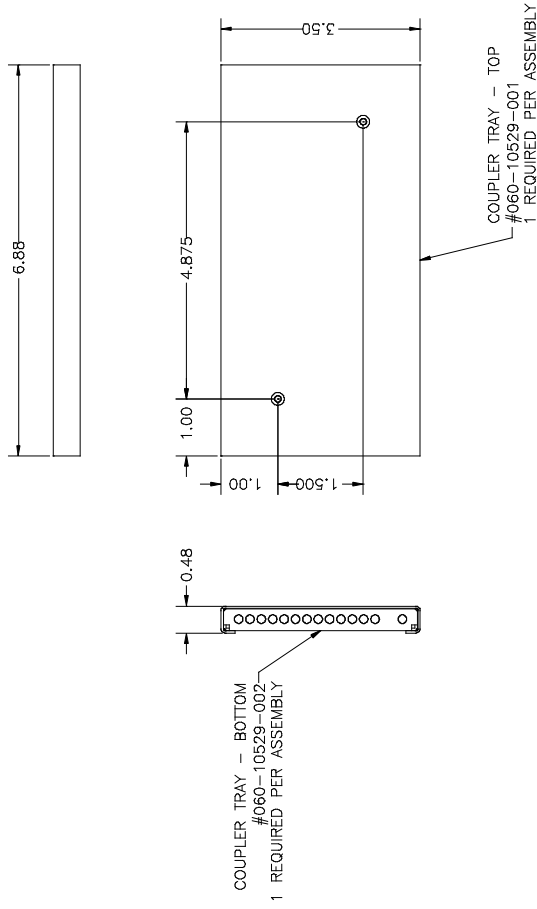


REVISIONS		
REV	DESCRIPTION	DATE



 THIRD ANGLE PROJECTION	FIBERDYNE CONFIDENTIAL UNLESS OTHERWISE SPECIFIED: ALL DIMENSIONS IN INCHES	FIBERDYNE LABS, INC. FRANKFORD, NY 13340 800-894-9669
	0.X = ±0.05 0.DX = ±0.015 0.XXX = ±0.005 ANG ±0.010 CORNERS 0.01R	NAME COUPLER TRAY 1X13 900 MICRON - A DWG BY M. STREETER DATE 09-20-04
SHEET SIZE B	REMOTE ADDRESS SHARP	