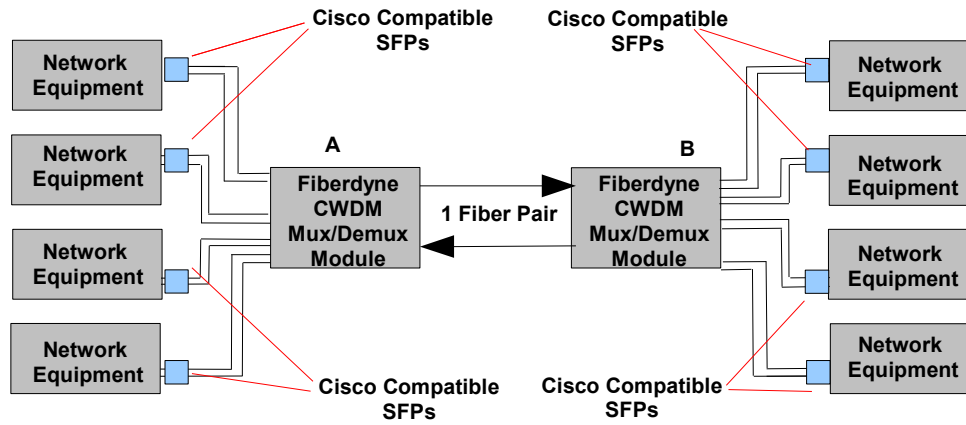


Complete Fiberdyne Labs, Inc. CWDM System with Cisco Compatible SFPs for \$5,995.00



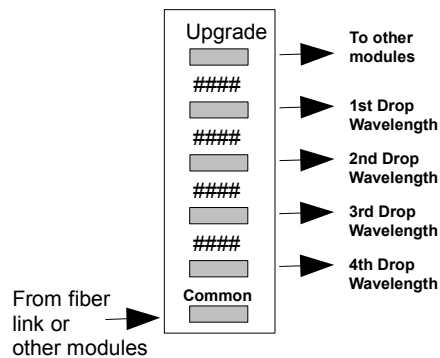
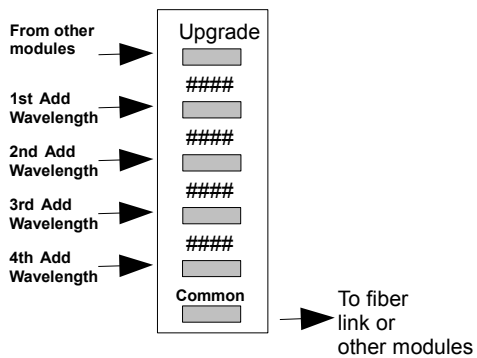
Fiberdyne Part Number: FCX-1-82005-KIT A

Description: Bi-directional CWDM System, 2 sites (A,B), two 4 channel Mux Demux with upgrade port and monitor port, 8 duplex LC jumpers; 8 Cisco compatible SFPs. (2) 19" / 23" rackmount 1U enclosures.



Cisco Compatible CWDM (Coarse Wavelength Division Multiplexer)

Part Number	Description
FDN-CWDM-SFP-1470	1000Base, CWDM, Singlemode, LC, 1470nm
FDN-CWDM-SFP-1490	1000Base, CWDM, Singlemode, LC, 1490nm
FDN-CWDM-SFP-1510	1000Base, CWDM, Singlemode, LC, 1510nm
FDN-CWDM-SFP-1530	1000Base, CWDM, Singlemode, LC, 1530nm
FDN-CWDM-SFP-1550	1000Base, CWDM, Singlemode, LC, 1550nm
FDN-CWDM-SFP-1570	1000Base, CWDM, Singlemode, LC, 1570nm
FDN-CWDM-SFP-1590	1000Base, CWDM, Singlemode, LC, 1590nm
FDN-CWDM-SFP-1610	1000Base, CWDM, Singlemode, LC, 1610nm



Multiplexer (Mux)

Demultiplexer (Demux)



LGX Module



19" / 23" Rackmount